



EOS Credo

Sauna heater for private and commercial saunas. Floor-standing model.

Exclusive sauna heater for the dry Finnish sauna.

EOS Credo stands out with the distinctive outer cladding made of special ceramic tiles with black finish.

The unique pillar-alike foot and the Cubius stones add the crowning touch to the outstanding design of this state-of-the-art model. Thanks to the flat rear wall with the hidden terminal box Credo heaters are great for installation in front of glass walls.

Your advantages:

- Exclusive design with black ceramic tile outer cladding
- Unique Cubius design stones in matching pure black finish
- Durable, long-lasting construction, stainless steel
- ~40 kg stones for optimal heat storage and great steam shocks
- Just 2 cm safety gap thanks low surface temperature, safety guard rail no longer necessary.
- Slim, space-saving construction – only 40 cm depth
- Easy to service, rock store above heating elements
- Made in Germany quality from EOS

Specifications:

Outer shell:	Ceramic tiles, pure black finish
Inner shell:	Stainless steel
Top:	Stainless steel, black finish
Rock store:	Stainless steel, above heating elements
Terminal box:	Stainless steel, recessed in rear wall
Power range:	12.0 kW and 15.0 kW
Power supply:	400 V 3N ~ 50 Hz
Dimensions:	81 x 50 x 40 cm
Stone filling:	~40 kg, included in delivery, black Cubius stones included.
Installation:	Floor-standing



Credo Black
with Cubius Black stones

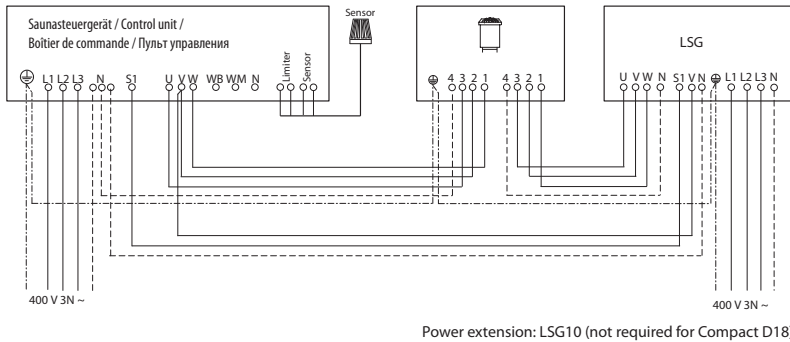


Example shows the optional Cubius stones in various heights

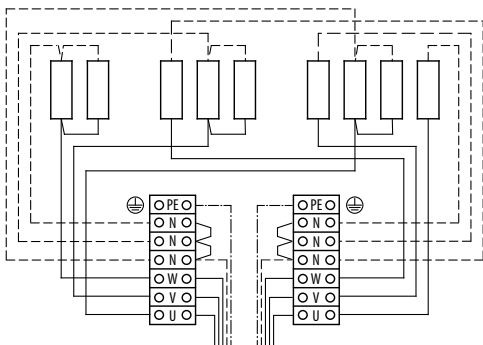


CE UK CA IPx4 Made in Germany

Connection diagram



Interne Verdrahtung



Heating elements
12 kW:
 9 x 1333 W type 2001 5056
15 kW:
 9 x 1666 W type 2001 5058

Accessories



Description	Item no.
Cubus stones 6 cm height, 10 pcs pack	94 5627
Cubus stones 8 cm height, 10 pcs pack	94 5626
Guard rail, incl. wood and mounting brackets	94 5655

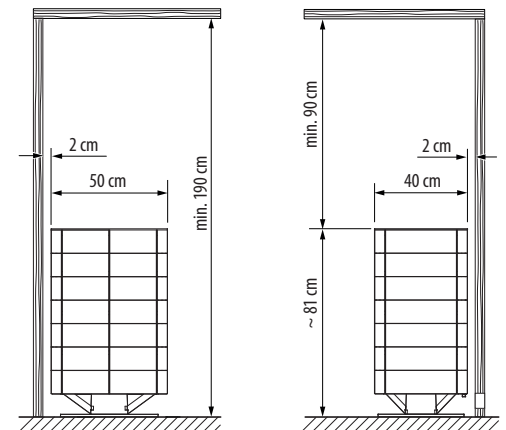
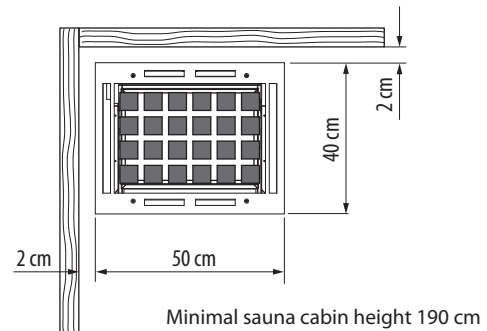
Technical specifications

Power	Electrical connection	Connection mains - control unit	Connection control unit - heater	Connection mains - LSG	Connection LSG - heater	Connection control unit - LSG unit
12,0 kW	400 V 3N ~ 50 Hz	5 x 2,5 mm ²	5 x 1,5 mm ²	5 x 2,5 mm ²	5 x 1,5 mm ²	4 x 1,5 mm ²
15,0 kW						

All cross sections of connection cables are minimum diameters in mm² (copper wire)

Item no.	Power rating	Fuse protection control unit	Fuse protection LSG unit	Dimensions H/W/D, in cm	For sauna cabin size	Min. size air inlet and outlet	Weight without rocks	Stone filling	Power extension required
94 8809	12.0 kW	3 x 16 A	3 x 16 A	81 / 50 / 40	14 - 18 m ³	35 x 7 cm	38 kg	~40 kg, caliber 50-100 +Cubus stones	LSG 10
94 8808	15.0 kW				18 - 25 m ³	35 x 9 cm			

Minimum clearances



Suitable control units

Model
EOS Compact series
EOS EmoTec series
EOS EmoStyle series
EOS EmoTouch 3 series

Power extension unit (e.g. LSG 10) is required.